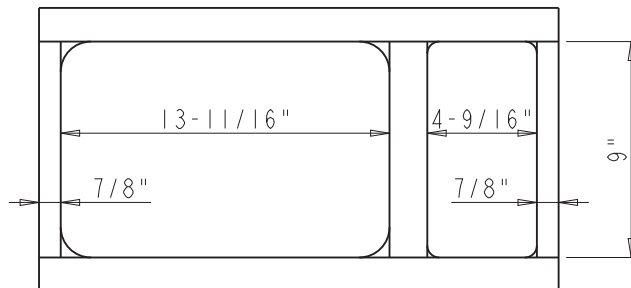
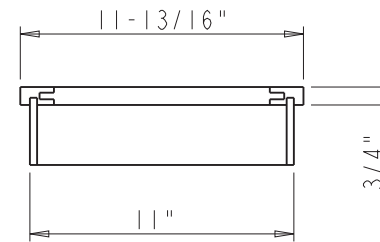
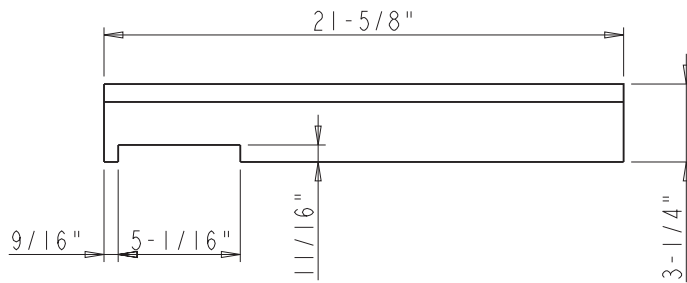
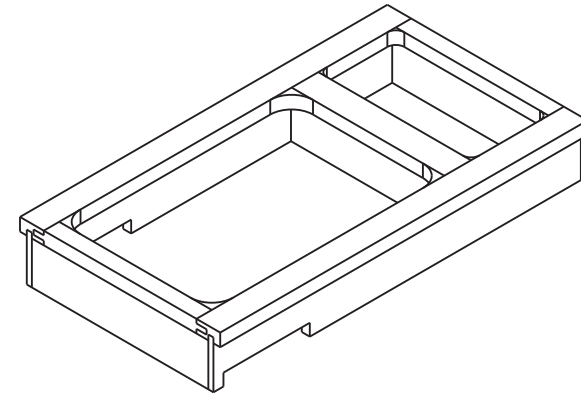
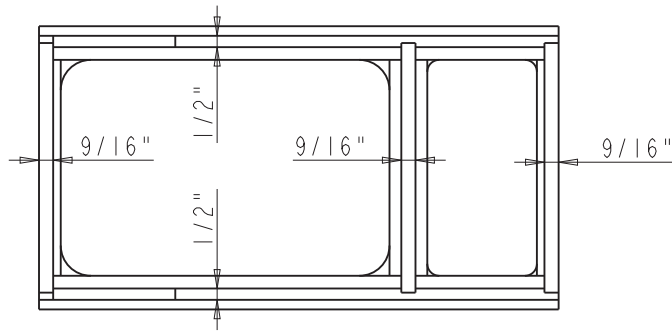


BILLS OF MATERIAL:

NO.	ITEM#	MATERIAL	QTY	UNIT WEIGHT	TOTL WEIGHT	TYPE	ASSY LEVEL
10	CAN-35		1			PART	1
9	TOP-MOUNT-RING		1	74.80	74.80	PART	1
8	CAN-BASKET		1	405.65	405.65	PART	1
7	303FUST22		2			PART	1
6	CAN-TMBRKT-L		1			ASSEMBLY	1
5	CAN-TMBRKT-R		1			ASSEMBLY	1
4	MOUNT-BOARD-R		1			PART	1
3	MOUNT-BOARD-L		1			PART	1
2	FRAME-12		1			ASSEMBLY	1
1	DOOR-12		1			PART	1

<p>PROPRIETARY AND CONFIDENTIAL</p> <p>THE INFORMATION CONTAINED IN THIS DRAWING IS THE SOLE PROPERTY OF HARDWARE RESOURCES INC. ANY REPRODUCTION IN PART OR AS A WHOLE WITHOUT THE WRITTEN PERMISSION OF HARDWARE RESOURCES INC. IS PROHIBITED.</p> <p>DO NOT SCALE DRAWING</p>	ITEM#: CAN-TMSC-12	MATERIAL:	
	FINISH:	WEIGHT:	
	TOLERANCE UNLESS OTHERWISE SPECIFIED: X ±0.20 X.X ±0.10 X.XX ±0.05 ANGULAR: ±0.5°	UNITS: MM	DRAWN BY:
	SIZE: A4	APPROVED BY:	DATE:
SHEET:	RELEASE LEVEL:	REVISION:	



	ITEM:	FRAME - 12		MATERIAL:
	FINISH:			WEIGHT:
PROPRIETARY AND CONFIDENTIAL THE INFORMATION CONTAINED IN THIS DRAWING IS THE SOLE PROPERTY OF HARDWARE RESOURCES INC. ANY REPRODUCTION IN PART OR AS A WHOLE WITHOUT THE WRITTEN PERMISSION OF HARDWARE RESOURCES INC. IS PROHIBITED.	TOLERANCE UNLESS OTHERWISE SPECIFIED: X ±0.20 XX ±0.10 XXX ±0.05 ANGULAR: ±0.5° DO NOT SCALE DRAWINGS	UNITS: IN SIZE: A4 SHEET:	DRAWN BY: APPROVED BY: RELEASE LEVEL:	DATE: DATE: REVISION:
				PROJECTION